

KSG-DM SERIES

10KW/12KW/15KW/17KW/20KW

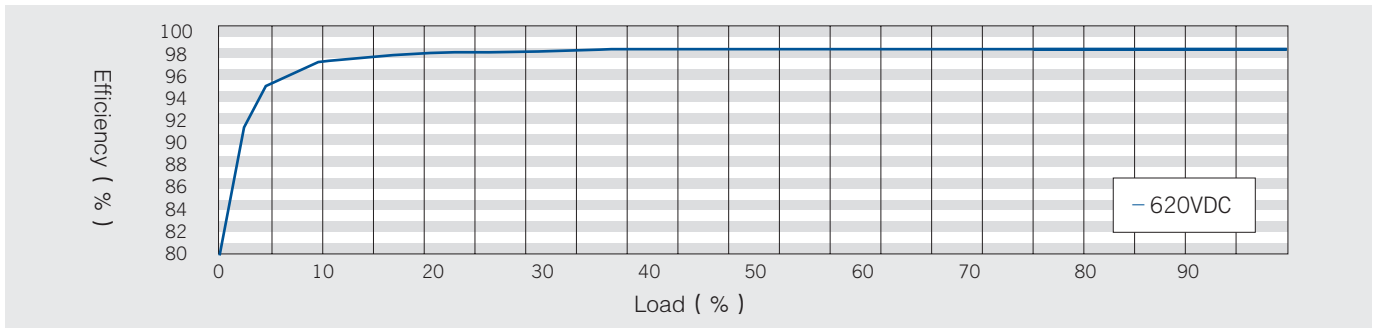
- Max PV Voltage up to 1000V
- Double MPPT
- High efficiency up to 98.0%
- Smaller and Lighter
- IP65 protection
- Easy installation
- Reactive power controller
- Digital controller



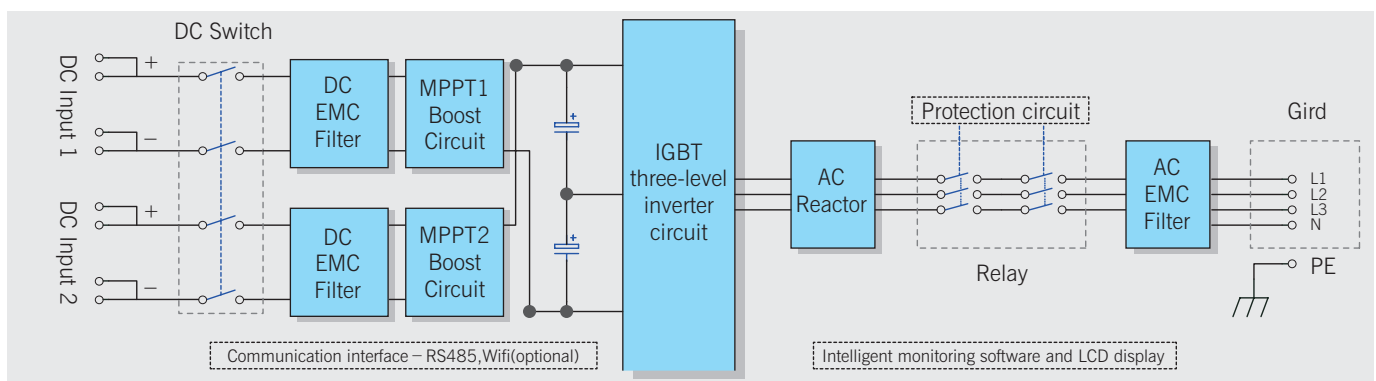
VDE 4105 / VDE 0126

CE、SAA、BV (VDE 4105/VDE 0126) 、C10/11

Efficiency curve



Circuit diagram



KSG-DM Series Technical Specifications

Model Specifications	KSG-10K	KSG-12K	KSG-15K	KSG-17K	KSG-20K
Input(DC)					
Max. DC power	11.5KW	13.5KW	16.5KW	18.5KW	22.5KW
Max. DC voltage	1000Vdc				
MPPT voltage range	250~950Vdc				
Full load voltage range	480~800Vdc				
Normal DC voltage	620Vdc				
Min. / start DC voltage	200 / 250Vdc				
Number of MPP trackers	2				
Strings per MPP tracker	1		2		
Max. input current per MPP tracker	13A / 13A		21A / 21A		
Output (AC)					
Normal AC output Power	10KW	12KW	15KW	17KW	20KW
Max. AC output Power	11KW	13KW	16KW	18KW	22KW
Normal AC voltage	400Vac				
AC voltage range	400Vac \pm 20%				
Normal AC grid frequency	50 / 60Hz				
AC grid frequency range	\pm 5Hz				
Max. output current	17A	20A	24A	27A	32A
Phase shift (cos φ)	0.8leading- 0.8lagging				
THDI	<3%				
AC connection	3W+N+PE/3W+PE				
Topology	Transformer less				
Efficiency					
Max. efficiency	98.0%				
Euro-eta	97.5%		97.5%		
Protection devices					
all-pole fault current monitoring unit	yes				
Ground fault monitoring	yes				
Mechanism Data					
Dimensions (W / L / D) in mm	553 / 715 / 228				
Weight	35Kg		39Kg		
Environment Data					
Operating temperature range	-25°C ~ +60°C				
Noise emission (typical)	\leq 40dB				
Cooling concept	Convection				
Protection rating	IP65				
Features					
LCD display	yes				
Interfaces	RS485				

Specifications subject to change without prior notice.