



KSG-TM SERIES

30KW / 50KW / 60KW

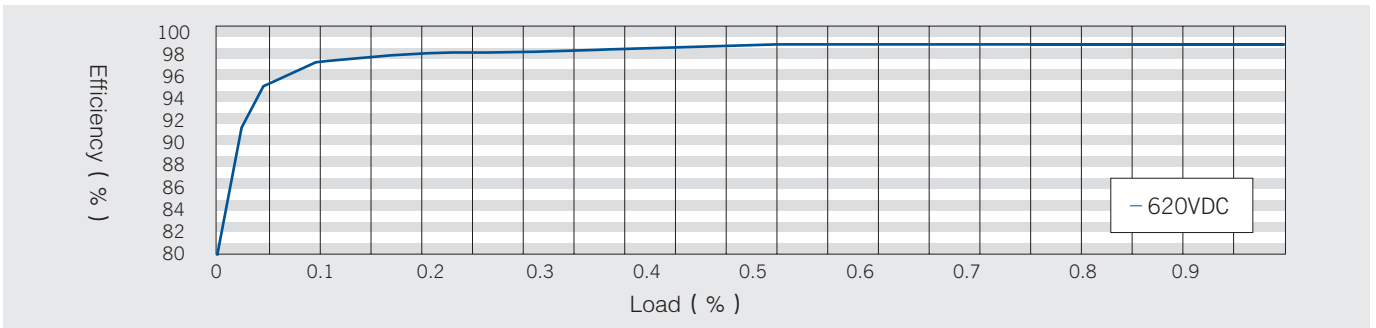
- Max PV Voltage up to 1000V
- Three MPPT
- High efficiency up to 98.6%
- IP65 protection
- Easy installation
- Reactive power controller
- Digital controller



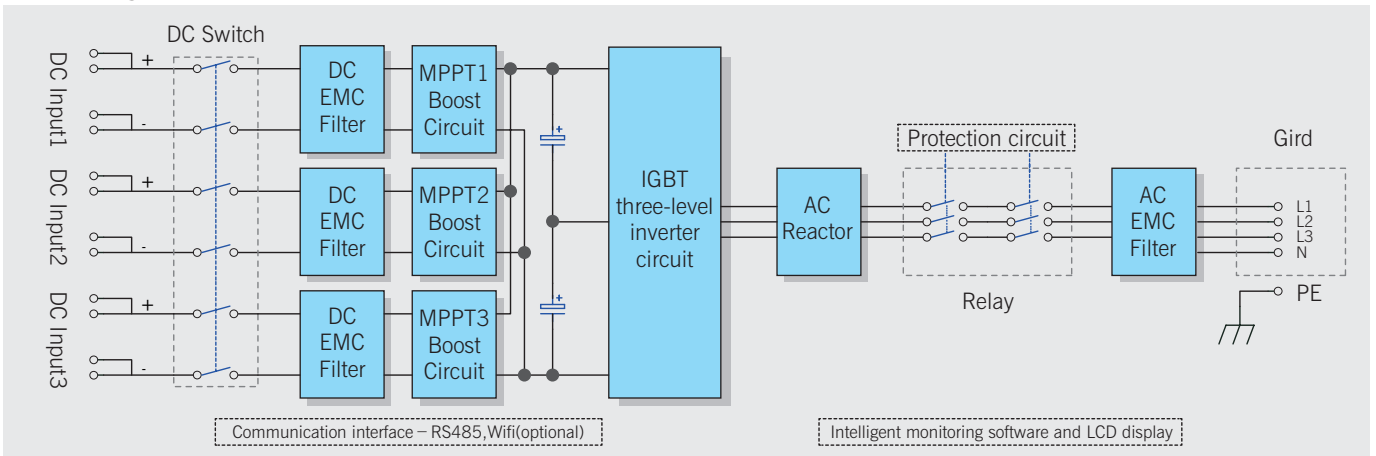
VDE 4105 / VDE 0126

CE, SAA, BV (VDE 4105/VDE 0126)、C10/11

Efficiency curve



Circuit diagram



KSG-TM Series Technical Specifications

Model	Specifications	KSG-30K	KSG-50K	KSG-60K
Input(DC)				
Max. DC power		35KW	56KW	67KW
Max. DC voltage		1000Vdc		
MPPT voltage range		250~950Vdc		
Full load mppt voltage range		480~800Vdc		500~800Vdc
Normal DC voltage		620Vdc		
Min. / start DC voltage		200 / 250Vdc		
Number of MPP trackers		3		
Strings per MPP tracker		2	4	
Max. input current per MPP tracker		26A / 26A / 26A	36A / 36A / 36A	40A / 40A / 40A
Output (AC)				
Normal AC output Power		30KW	50KW	60KW
Max. AC output Power		33KW	55KW	66KW
Normal AC voltage		400Vac		
AC voltage range		400Vac±20%		
Normal AC grid frequency		50 / 60Hz		
AC grid frequency range		±5Hz		
Rated. output current		44A	72A	87A
Max. output current		48A	80A	95A
Phase shift (cos φ)		0.8leading- 0.8laging		
THDI		<3%		
AC connection		3W+N+PE/3W+PE		
Topology		Transformer less		
Efficiency				
Max. efficiency		98.3%	98.6%	
Euro-eta		98.0%	98.2%	
Protection devices				
all-pole fault current monitoring unit		yes		
Ground fault monitoring		yes		
Mechanism Data				
Dimensions (W / L / D) in mm		636 / 958 / 260		
Weight		61Kg	68Kg	70Kg
Environment Data				
Operating temperature range		-25°C ~ +60°C		
Noise emission (typical)		≤40dB	≤60dB	
Cooling concept		Convection	fans	
Protection rating		IP65		
Features				
LCD display		yes		
Interfaces		RS485		

Specifications subject to change without prior notice.